

# SA275/K12-900

## SEMI-AUTOMATIC BOLLARD

The SASA275/K12-900 semiautomatic bollards have been designed to ensure the highest level of anti-terrorist protection. Current models are the result of our 40 years experience in the security field, and in excess of 20 years in the specific design and manufacture of automatic bollards. The installation of the SA275/K12-900 bollard is recommended for use in any security sensitive site like company driveways, industrial driveways, research centres, embassies, police facilities, and military bases.



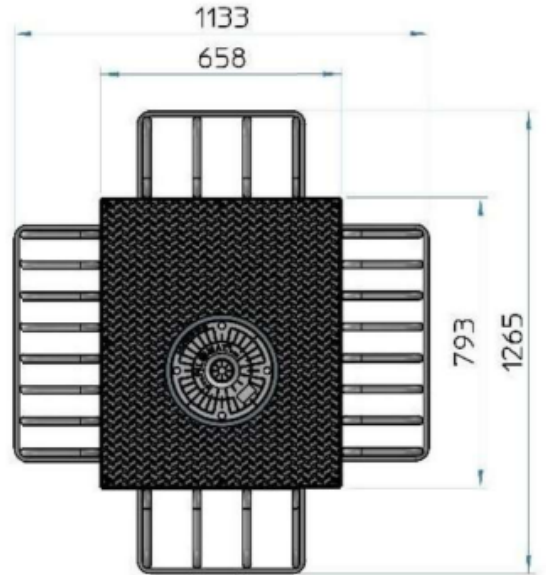
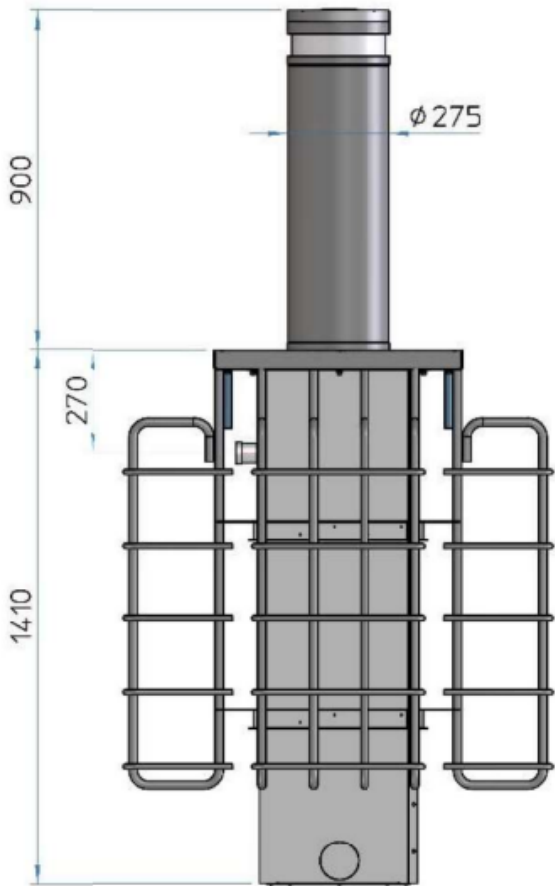
page 1/3

**ännnt**<sup>TM</sup>  
PERIMETER PROTECTION PRODUCTS

ANNT Bollards  
USA: 300 International Drive, Williamsville, New York, 14221  
Canada: 53 Armstrong Avenue, Unit 1, Georgetown, Ontario, L7G 4S1  
Toll Free: 888-891-8559, Local: 905-873-2727, Fax: 905-248-3629  
contact@anntbollards.com, www.annt.ca

Information in this document is for reference only. In pursuit of its policy of continuous refinement and improvement, ännnt reserves the right to amend this information at any time and without prior notice. Picture shown is for illustration purpose only.

# SA275/K12-900



# SA275/K12-900

<b>DATASHEET</b>	
OPERATING CRITERION	<b>WITH BATTERY DRILL OR MANUAL ROD.</b> RISING: CLOCKWISE ROTATION - LOWERING: COUNTERCLOCKWISE ROTATION
CYLINDER MATERIAL	<b>FE 510 STEEL / AISI 304 STAINLESS STEEL / AISI 316 STAINLESS STEEL</b>
CYLINDER DIAMETER (NOMINAL)	<b>275mm</b>
CYLINDER HEIGHT	<b>900mm</b>
CYLINDER THICKNESS	<b>25mm</b>
CYLINDER FINISH (STEEL)	<b>ANTICORROSION TREATMENT + GREY ANTHRACITE STANDARD PAINTING</b>
CYLINDER FINISH (STAINLESS STEEL)	<b>GREY ANTHRACITE STANDARD PAINTING / BRUSHING</b>
OTHER CYLINDER FINISH	<b>KNURLING ON CYLINDER SURFACE</b>
REFLECTING STRIP	<b>STANDARD – HEIGHT 55mm</b>
RISING SPEED (WITH DRILL BATTERIES)	<b>8cm/sec.</b>
LOWERING SPEED (WITH DRILL BATTERIES)	<b>20cm/sec.</b>
MANUAL HYDRAULIC UNIT	<b>BUILT-IN INTO THE BOLLARD</b>
PROTECTION CLASS	<b>IP 67</b>
IMPACT RESISTANCE (WITHOUT DEFORMATION)	<b>700.000 J.</b>
BREAKOUT RESISTANCE	<b>2.000.000 J.</b>
OPERATING TEMPERATURE (NOMINAL)	<b>-20°C +60°C (FOR LOWER TEMPERATURES HEATING CARTRIDGE IS RECOMENDED)</b>
ANTI-CORROSION TREATMENT M	<b>OPTIONAL</b> TO BE ORDERED IN CASE OF INSTALLATIONS THAT ARE LESS THAN 2 KM FROM THE SEA TO BE ORDERED IN CASE OF INSTALLATIONS WHERE SALT IS USED ON THE ROAD TO AVOID ICE FOR A PERIOD UP TO 3 MONTHS
DRILL INSERT FOR LIFTING / LOWERING THE BOLLARD	<b>STANDARD - 1 PIECE INCLUDED</b>

## AVAILABLE ITEMS

BOLLARD 275/K12 900SAFEV - NORMAL STEEL PAINTED

BOLLARD 275/K12 900SAIXV - STAINLESS STEEL PAINTED

BOLLARD 275/K12 900SAIXS - STAINLESS STEEL BRUSHED

PIT IN ALUZINC FOR 275/K12 900SA - COUNTERFRAME AND REBARS  
ONE PIT FOR EACH BOLLARD

MULTILED FLASHING LIGHT- 25 LED POINTS

REFLECTING ADHESIVE STRIP - WHITE (NO-LOGO)

HEAD WITHOUT LOGO FOR PILOMAT 275/K12 900SA

PAINTING WITH RAL COLOUR ON REQUEST

AISI 316 STAINLESS STEEL CYLINDER

SECURITY LOCK FOR MECHANICAL LOCKING OPERATING POINT

ROD FOR LIFTING/LOWERING THE BOLLARD MANUALLY

BATTERY DRILL FOR LIFTING/LOWERING THE BOLLARD