

ider

DOORLIFTER TECHNOLOGY



CONTROL SYSTEM



GYK-91/91SY



GYK-92Y/92SY
GYK-93S-1



GYK-PT502



GYK-51Y/51SY
GYK-52Y/52SY
GYK-53S-1



GYK-93S-2



GYK-54Y/54SY
GYK-55Y/55SY
GYK-56S-1



PT-03S/04S

Model	Input Voltage	Matching Model
GYK-91Y	AC220V	GYM50-170-190-1
GYK-92Y	AC220V	GYM50-270-290-2
GYK-93S-1	AC220V	GYM60S-3100S-3150S-3
GYK-51Y	AC220V	G50-170-190-1
GYK-52Y	AC220V	G50-270-290-2
GYK-53S-1	AC220V	GYM60S-3100S-3150S-3
GYK-54SY	AC380V	GYM60S-1100S-1150S-1 GYM60S-1300S-1350S-1 GYM60S-1
GYK-55SY	AC380V	GYM60S-2100S-2150S-2 GYM60S-2300S-2350S-2 GYM60S-2
PT-03S	AC380V	Docking leveler electron magnetic brake output voltage DC24V
GYK-PT502	AC380V	Sectional door & docking leveler motor control system brake output voltage DC24V or AC24V

Model	Input Voltage	Matching Model
GYK-91SY	AC380V	GYM60S-1100S-1150S-1 GYM60S-1300S-1350S-1 GYM60S-1
GYK-92SY	AC380V	GYM60S-2100S-2150S-2 GYM60S-2300S-2350S-2 GYM60S-2
GYK-93S-2	AC220V	GYJ4050/60/80/70/100 GYM20S-2
GYK-51SY	AC380V	GYM60S-1100S-1150S-1 GYM60S-1300S-1350S-1 GYM60S-1
GYK-52SY	AC380V	GYM60S-2100S-2150S-2 GYM60S-2300S-2350S-2 GYM60S-2
GYK-54Y	AC220V	GYM50-170-190-1
GYK-55Y	AC220V	GYM50-270-290-2
GYK-56S-1	AC220V	GYM60S-3100S-3150S-3
PT-04S	AC380V AC24V	Docking leveler electron magnetic brake output voltage DC24V

Industrial Sectional Door Drives Industrial Flange Motor Industrial Direct Drives Motor Industrial Chain Drive Motor High Speed Door Motor

Single Phase

- GYM50-1 AC220V, Max. Torq. 40N.M, For < 18SQ.M.Gate, Mechanical Limit
- GYM50Y-2 AC220V, Max. Torq. 40N.M, For < 18SQ.M.Gate, Electronic Limit (ALL-IN-ONE)
- GYM50-2 AC220V, Max. Torq. 40N.M, For < 18SQ.M.Gate, Electronic Limit
- GYM70-1 AC220V, Max. Torq. 60N.M, For < 25SQ.M.Gate, Mechanical Limit
- GYM70Y-2 AC220V, Max. Torq. 60N.M, for < 25SQ.M.Gate, Electronic Limit
- GYM70-2 AC220V, Max. Torq. 60N.M, for < 25SQ.M.Gate, Electronic Limit
- GYM90-1 AC220V, Max. Torq. 90N.M, for < 35SQ.M.Gate, Electronic Limit (ALL-IN-ONE)
- GYM90-2 AC220V, Max. Torq. 90N.M, for < 35SQ.M.Gate, Electronic Limit
- GYM90-3 3PH* AC220V, Max. Torq. 60N.M, For < 25SQ.M.Gate Frequency Conversion & Electronic Limit
- GYM100S-3 3PH* AC220V, Max. Torq. 100N.M, For < 30SQ.M.Gate Frequency Conversion & Electronic Limit
- GYM150S-3 3PH* AC220V, Max. Torq. 150N.M, For < 40SQ.M.Gate Frequency Conversion & Electronic Limit
- GYM200S-3 3PH* AC220V, Max. Torq. 200N.M, For < 50SQ.M.Gate Frequency Conversion & Electronic Limit

Three Phase

- GYM60S-1 AC380V, Max. Torq. 60N.M, For < 25SQ.M. Gate, Mechanical Limit
- GYM100S-1 AC380V, Max. Torq. 100N.M, For < 35SQ.M. Gate, Mechanical Limit
- GYM150S-1 AC380V, Max. Torq. 150N.M, For < 40SQ.M. Gate, Mechanical Limit
- GYM60S-2 AC380V, Max. Torq. 60N.M, For < 25SQ.M.Gate, Electronic Limit
- GYM100S-2 AC380V, Max. Torq. 100N.M, For < 35SQ.M.Gate, Electronic Limit
- GYM150S-2 AC380V, Max. Torq. 150N.M, For < 40SQ.M.Gate, Electronic Limit
- GYM200S-1 AC380V, Max. Torq. 200N.M, For < 60SQ.M.Gate, Mechanical Limit
- GYM200S-2 AC380V, Max. Torq. 200N.M, For < 60SQ.M.Gate, Electronic Limit
- GYM260S-1 AC380V, Max. Torq. 260N.M, For < 50SQ.M.Gate, Mechanical Limit
- GYM260S-2 AC380V, Max. Torq. 260N.M, For < 50SQ.M.Gate, Electronic Limit
- GYM350S-1 AC380V, Max. Torq. 350N.M, For < 70SQ.M.Gate, Mechanical Limit
- GYM350S-2 AC380V, Max. Torq. 350N.M, For < 70SQ.M.Gate, Electronic Limit
- GYM500S-1 AC380V, Max. Torq. 500N.M, For < 100SQ.M.Gate, Mechanical Limit
- GYM500S-2 AC380V, Max. Torq. 500N.M, For < 100SQ.M.Gate, Electronic Limit

High Speed-Door Operator

- GYJ40 3PH* AC220V 800W 40N.M 135RPM For < 12SQ.M.Gate 1:10
- GYJ60 3PH* AC220V 800W 60N.M 90RPM For < 15SQ.M.Gate 1:15
- GYJ80 3PH* AC220V 1000W 50N.M 135RPM For < 15SQ.M.Gate 1:10
- GYJ80 3PH* AC220V 1000W 80N.M 90RPM For < 18SQ.M.Gate 1:15
- GYJ70 3PH* AC220V 1500W 70N.M 135RPM For < 20SQ.M.Gate 1: 10
- GYJ100 3PH* AC220V 1500W 100N.M 90RPM For < 25SQ.M.Gate 1:15



Section door motor
AC220V & AC380V 24rpm
35/50/60/100/150N.m



Section door porta
AC380V 24rpm 200N.m



Industrial roller shutter motor
AC380V 12rpm 260/350/500N.m



High speed door motor
AC220V 135 & 90 rpm
40/60/50/80/70/100N.m



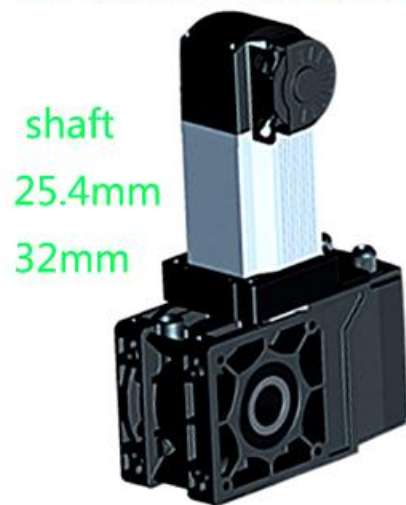
shaft
25.4mm

Section door motor
AC220V & AC380V 24rpm
35/50/60/100/150N.m



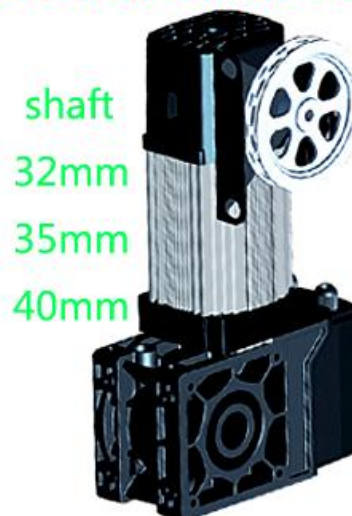
shaft
25.4mm
25mm

High speed door motor
AC220V 135 & 90 rpm
40/60/50/80/70/100N.m



shaft
25.4mm
32mm

Section door porta
AC380V 24rpm 200N.m



shaft
32mm
35mm
40mm

Industrial roller shutter motor
AC380V 12rpm 260/350/500N.m

-1 Mechanical Limit

-2 Electronic Limit

-3 Frequency Conversion Electronic Limit



Industrial Sectional Door Operator

40N.m.60N.m.90N.m.100N.m.150N.m.200N.m.



Industrial Roller-shutter Door Operator

260N.m. & 350N.m. & 500N.m. & 650 N.M.

-1 Mechanical Limit -2 Electronic Limit

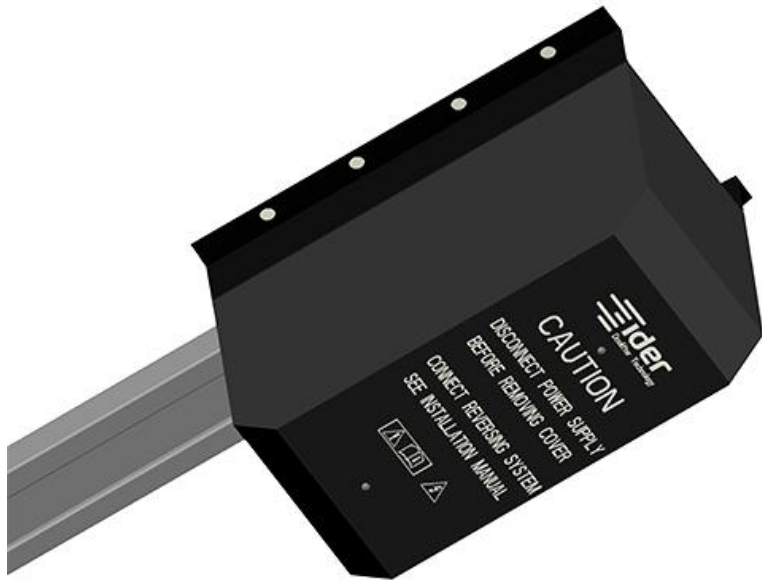


High Speed Door Motor

40N.m.&50N.m.&60N.m.&70N.m.&80N.m.&100N.m.

800W & 1000W & 1500W

Absolute Value Encode For Electronic Limit



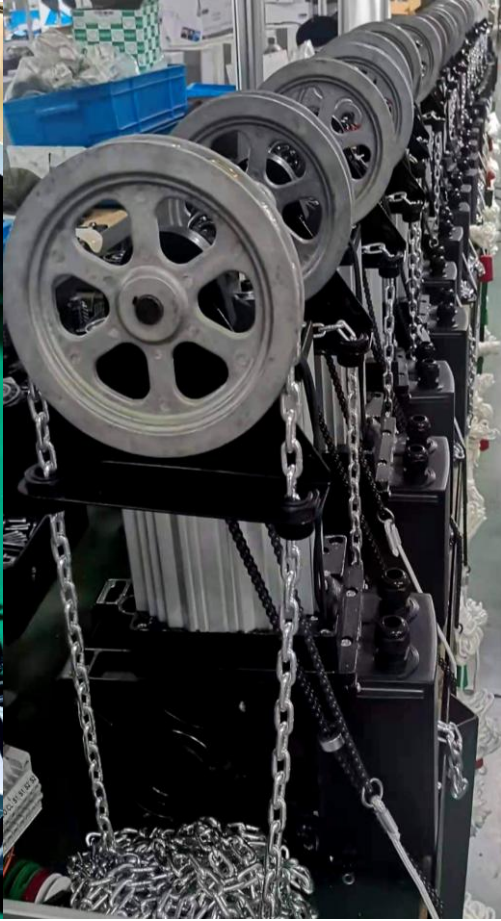
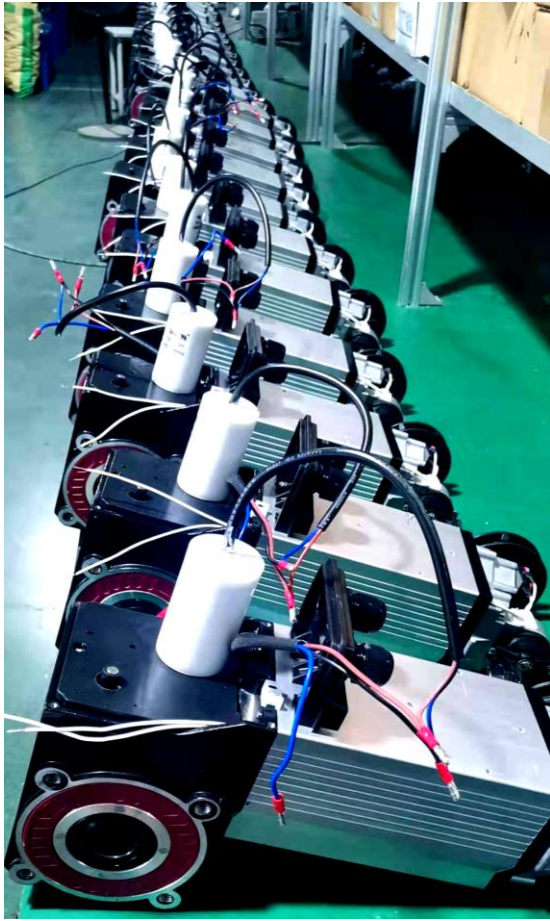
POWERFUL INDUSTRIAL GARAGE DOOR OPERTOR

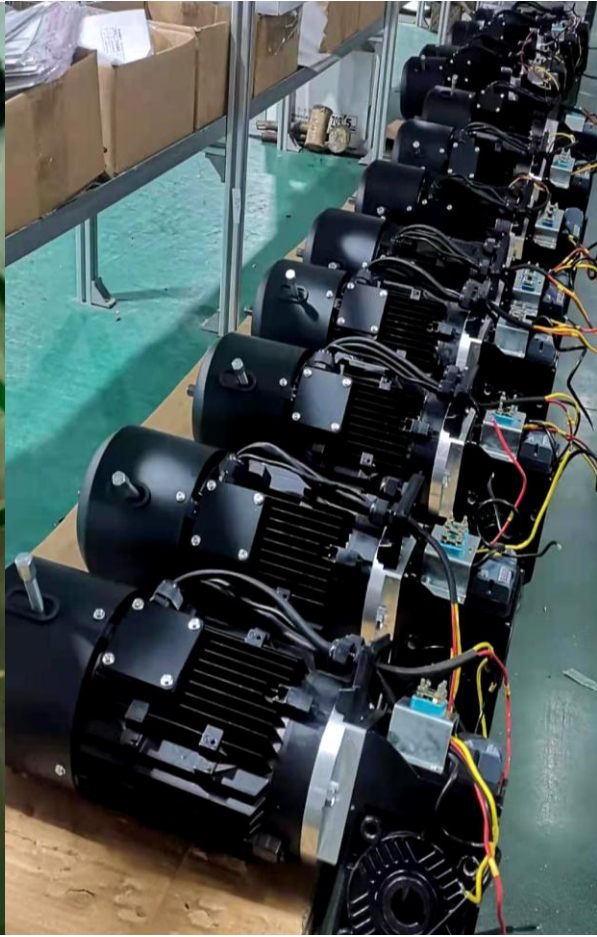


ELECTRONIC LIMIT WITH ENCODER



ROLLING SHUTTER DOOR OPERATOR
SAFETY BRAKE FOR ANTI-FALL GAURD
FROM 300KGS TO 2000KGS







**GYK-92Y/92SY ELECTRONIC LIMIT
GYK-93S-1 FREQUENCY CONVERSION**



GYK-PTS02 SECTIONAL & DOCK LEVELLER



GYK-91/91SY MECHANICAL LIMIT



**GYK54/54SY&GYK-55Y/55SY ELECTRONIC LIMIT
GYK56S-1 FREQUENCY CONVERSION**



**GYK-51Y/51SY MECHANICAL LIMIT
GYK52Y/52SY ELECTRONIC LIMIT
GYK53S-1 FREQUENCY CONVERSION**



GYK-93S-2 HIGH SPEED MOTOR CONTROLLER



GYF100 EXPLOSION-PROOF



PT04 DOCK LEVELLER



PT06 DOCK LEVELLER





PT08 DOCK LEVELLER



PT10 FUNCTIONAL DOCK LEVELLER



CONTROL SYSTEM

shaft 25.4mm 32mm
shaft 25.4mm
shaft 25.4mm 25mm
shaft 32mm 35mm 40mm

Industrial roller shutter motor AC380V 12rpm 260/350/500N.m

Section door porta AC380V 24rpm 200N.m

Section door motor AC220V & AC380V 24rpm 35/50/60/100/150N.m

High speed door motor AC220V 135 & 90 rpm 40/60/50/80/70/100N.m

INDUSTRIAL Gate components

ider
DOORLIFTER TECHNOLOGY

With years of experience, we are dedicated to providing our partners with comprehensive solutions of gate controlling system. DOORLIFTER's components are carefully selected from various applications and are capable of meeting multiple requirements.

GYK-91/91SY GYK-92Y/92SY GYK-PT502
GYK-93S-1

GYK-51Y/51SY GYK-52Y/52SY GYK-53S-1

GYK-93S-2 GYK-54Y/54SY GYK-55Y/55SY PT-03S/04S
GYK-56S-1

Model	Input Voltage	Matching Model
GYK-91Y	AC220V	GYM60-1/70-1/90-1
GYK-92Y	AC220V	GYM50-2/70-2/90-2
GYK-93S-1	AC220V	GYM60S-3/100S-3/150S-3
GYK-51Y	AC220V	050-1/70-1/90-1
GYK-52Y	AC220V	050-2/70-2/90-2
GYK-53S-1	AC220V	GYM60S-3/100S-3/150S-3
GYK-54SY	AC380V	GYM60S-1/100S-1/150S-1 GYM60S-2/100S-2/150S-2
GYK-55SY	AC380V	GYM60S-2/100S-2/150S-2 GYM60S-3/100S-3/150S-3
PT-03S	AC380V	Drinking handle, absorption magnetic brake output voltage DC24V
GYK-PT502	AC380V	Drinking handle, absorption magnetic brake output voltage DC24V

Model	Input Voltage	Matching Model
GYK-91SY	AC380V	GYM60S-1/100S-1/150S-1 GYM60S-2/100S-2/150S-2 GYM60S-3/100S-3/150S-3
GYK-92SY	AC380V	GYM50S-2/70S-2/90S-2 GYM50S-3/70S-3/90S-3
GYK-93S-2	AC220V	GYM60S-3/100S-3/150S-3
GYK-51SY	AC380V	GYM60S-1/100S-1/150S-1 GYM60S-2/100S-2/150S-2 GYM60S-3/100S-3/150S-3
GYK-52SY	AC380V	GYM60S-2/100S-2/150S-2 GYM60S-3/100S-3/150S-3
GYK-54Y	AC220V	GYM60-1/70-1/90-1
GYK-55Y	AC220V	GYM50-2/70-2/90-2
GYK-56S-1	AC220V	GYM60S-3/100S-3/150S-3
PT-04S	AC380V AC24V	Drinking handle, absorption magnetic brake output voltage DC24V

3-button box 3-button box lockable 3-button box Remote controller

Remote controller Remote controller Wired airbag switch wireless airbag switch

Infrared protective switch Infrared protective switch Loop Detector Radar sensing switch

Alarming lights Alarming lights Air switch 1:1.3 retarding ratio accessory

Hexagonal shaft retarding ratio accessory Release handle device Installation bracket Looped chain

QMS CERTIFICATE OF REGISTRATION

Registration No.: 12819Q216580S

This is to certify that the Quality Management System of **Jiaxing Ider Electronic Technology Joint Stock Co., Ltd**

Unified social credit code(Organization code):91330483054221861M
Building 1, No.87, Shuang Road, Wuyang Street, Tongxiang City, Jiaxing City, Zhejiang Province

Has been audited to conform to the following Quality Management System Standard:
GB/T19001-2016/ISO9001:2015

For the whole process of
Design and production of access control automation equipment (industrial door machine and electronic control, fast door machine and electronic control)

DATE OF ISSUR: 09-06-2019 DATE OF SUPERVISION: 10-20-2021 VALID UNTIL: 09-05-2022

Certified organizations within the validity period of the certificate surveillance audit at least once a year, the organization should take audit before 09-05-2022 to remain the validity. This certificate is valid until 09-05-2022.

The certificate information is available in the certification and accreditation administration of the People's Republic of China's official website: www.cnca.gov.cn

Zhou ZhongDe

IAF **CNAS** **CSI**

中国认可 国际互认 管理体系 认证 管理体系 认证 管理体系 认证
MANAGEMENT SYSTEM MANAGEMENT SYSTEM MANAGEMENT SYSTEM
CNAS C128-M

No.21, No.4,Yard, Yuelinbeihaijie Street, Xichang District, Beijing, 010-68077408

ISET S.r.l. Unipersonale

Sede Legale e Uffici: Cap. soc. i.v. € 10.200,00
Via Donatori di sangue, 9 - 48024 Moglia (MN) Cod. Fisc. e P.IVA Reg. Imprese 02332750269
Tel. e fax +39 (0)276 598963 REA 02332750269
www.iset-italia.com commercial@iset-italia.com Cap. soc. i.v. MN 0221098

CERTIFICATE
Certificat - Certificado - Сертификат - Zertifikat - 證書

- 1) **APPLICANT:** (who finally puts the product on the market)
JIAXING IDER Electronic Technology Co., LTD
87 Shuguang Road, Tongxiang City, Zhejiang Province, China
- 2) **CERTIFICATE NO.:** ISETC.001520201229
TECHNICAL REFERENCE: BCTC2012389799S
- 3) **ISET MARK:**
- 4) **CAUTION ABOUT CE MARKING** (Instruction for the Applicant who puts the product on the EU market):
The label of the CE Marking on the left side should be not less than 5mm height. CE Marking and EC Declaration of Conformity are duties for the manufacturer or its applicant who puts the product on the market. This one is responsible to start the CE marking and certification procedure as required by the legislation in force. Only for the products which are compulsorily included into specific Directives or Regulations will be necessary to appoint a Notified Body.
- 5) **TYPE OF PRODUCT:** Automatic door opener
MODEL(S): GYM50, GYM70, GYM75, GYM90, GYM60S, GYM100S, GYM150S, GYM200S, GYM260S, GYM350S, GYM500S, GYM650S, GYJ40, GYJ50, GYJ60, GYJ70, GYJ80, GYJ100, GYK-91Y, GYK-92Y, GYK-91SY, GYK-92SY, GYK-93S-1, GYK-53S-1
- 6) **LIST OF DIRECTIVES / REGULATIONS / STANDARDS** (as declared by the manufacturer itself)
Machinery Directive 2006/42/EC
EN ISO 12100:2010; EN 60204-1:2018
- 7) **NOTE:** This document is not referred to any evaluation that could be considered as included in the scope of the activities covered by the standard BS EN ISO/IEC 17065:2012 or European Regulation 765/2008.
- 8) **REMARK:** Certificate is issued on voluntary application from the Client and it gives to the applicant the right to use and affix the ISET Mark on their products, even if it doesn't imply any assessment on the safety and compliance of the product. ISET declares that the only scope of the assessment is to verify the existence of the declaration issued by the manufacturer or an applicant under its own responsibilities.
- 9) **DATE OF ISSUE:** 29/12/2020 **EXPIRY DATE:** 28/12/2025
- 10) **SIGNATURE:** Xiangming

迅捷PDF转换器



JIAXING IDER ELECTRONIC TECHNOLOGY CO., LTD. –Germany Technology

A leading manufacturer of Industrial Motor&High-Speed Motor &Dock-Leveller Control Systems Manufacturer

|ISO9001-Cetified|Exporting-over 65 Countries|40 Years Accumulation|CE-Marked|ROHS|TUV|FCC|C-TICK|

NO.87,SHUGUANG ROAD,TONGXIANG CITY.JIAXING CITY.ZHEJIANG PROVINCE.P.R.CHINA

TEL: +0086-573-88201279 FAX: +0086-573-88899383

Wechat/Skype/Whatsapp/Mobile: +86-13957357034

Visit our URL learn more: <http://www.doorlifter.com/>

<https://www.industrydooroperator.com/>

Please reply us to: gateopen@doorlifter.com

gateopen@qq.com